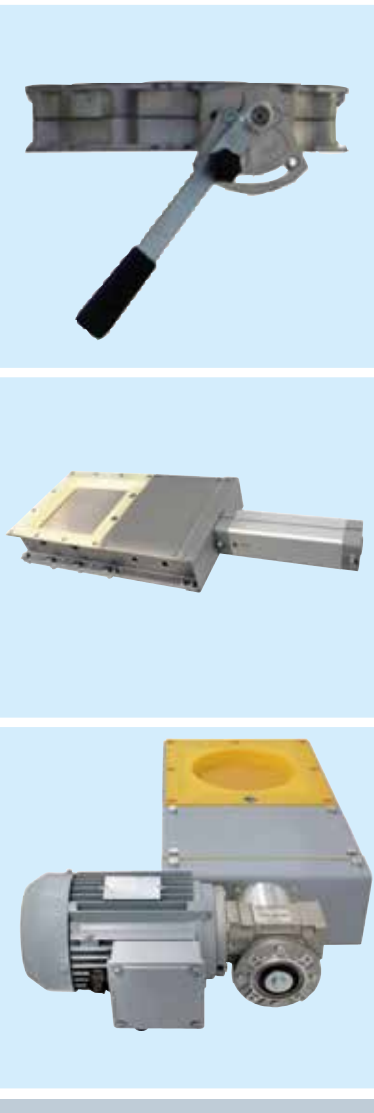


Valve Actuators



WIDE RANGE OF ACTUATORS PERFECTLY TAILORED FOR WAMGROUP® VALVES

Combined with the extensive WAMGROUP® valve range, the matching manual, pneumatic and electric actuators have become the benchmark in many industries and applications. The compact actuator units, consisting of few components, are largely interchangeable. In addition to ATEX versions, a range of accessories tailored to the application requirements is available.



Manual Actuators



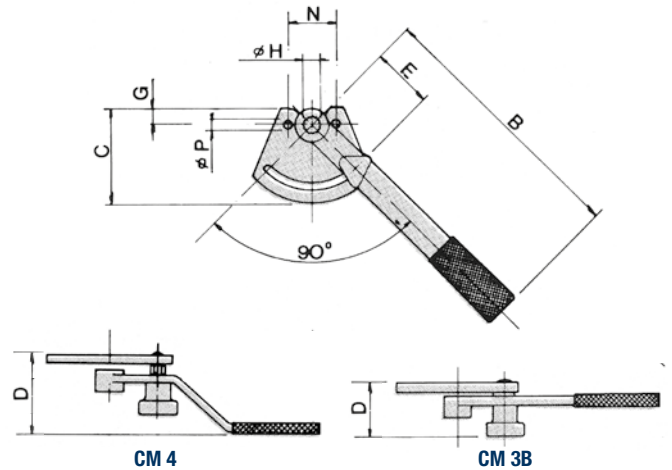
Pneumatic Actuators



Electric Actuators

MANUAL ACTUATORS

Hand Levers CM

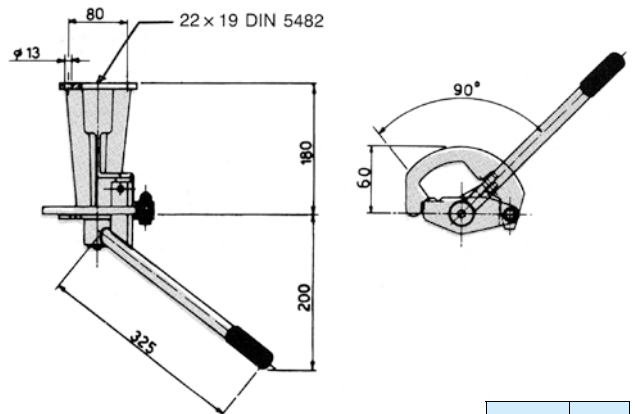


MATCHING VALVE TYPES					
VFS	VFP	VFF	VW	VSS	DVA

CODE	B	C	D	E	G	Ø H DIN 5482	N	Ø P	kg
CM 4	300	105	115	72	14	22 X 19	50	10.5	1.5
CM 3B	500	107	60	72	17	28 X 25	80	10.5	2.0

Dimensions in mm

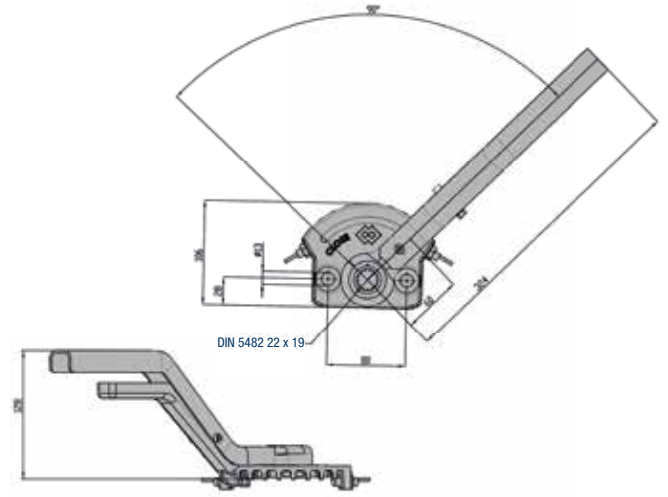
Extended Hand Lever CMP2



MATCHING VALVE TYPES				
VFS	VFP	VFF	VSS	DVA

CODE	kg
CMP 2	2.0

Hand Lever with Pre-arrangement for Inductive Sensor CM51



MATCHING VALVE TYPES				
VFS	VFP	VFF	VSS	DVA

CODE	kg
CM 51	1.5

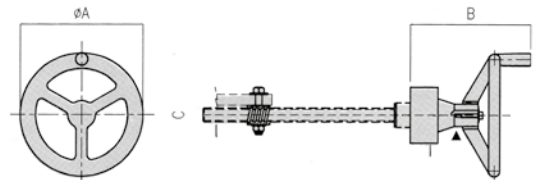
Handwheels with Threaded Spindle CMG / CMGA



CMG



CMGA

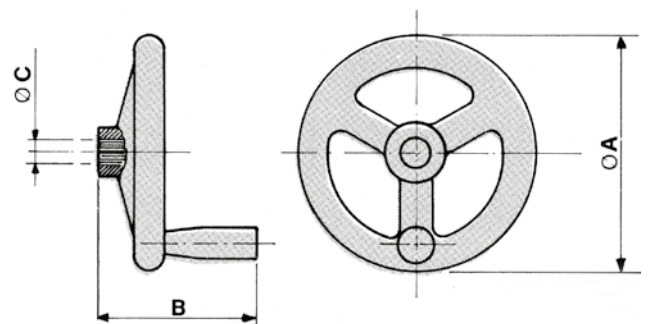


MATCHING VALVE TYPES		
VL	VDI	VIB
CMG		CMGA

CODE	Ø A	B	C	D	kg
CMG/CMGA 0150I	200	165	TPM 25 X 5	20	2.0
CMG/CMGA 0200I	200	165	TPM 25 X 5	20	2.5
CMG/CMGA 0250I	200	165	TPM 25 X 5	20	3.0
CMG/CMGA 0300I	200	165	TPM 25 X 5	20	4.0
CMG/CMGA 0350I	250	241	TPM 35 X 6	45	7.0
CMG/CMGA 0400I	250	241	TPM 35 X 6	45	8.0

Dimensions in mm

Handwheels CMV



MATCHING VALVE TYPE
VG

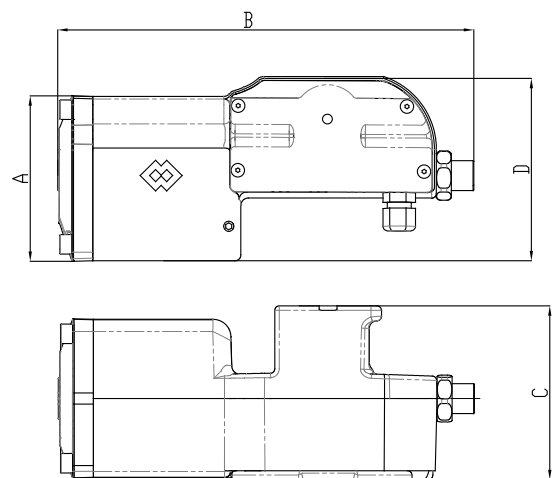
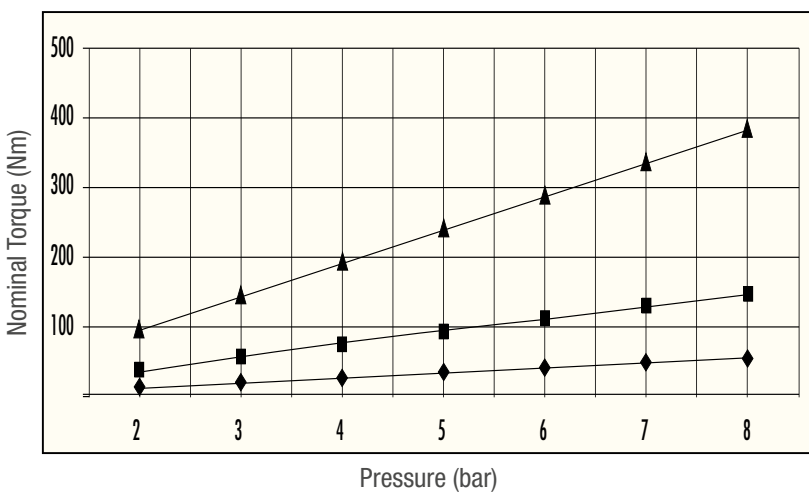
CODE	Ø A	B	Ø H DIN 5482	kg
CMV 2	200	145	22 X 19	1.0
CMV 4	250	145	28 X 25	1.5
CMV 6	300	180	28 X 25	2.5

Dimensions in mm

PNEUMATIC ACTUATORS

Pneumatic Rotary Actuators CPU / CPLX

Operating pressure: 2 ~ 8 bar (29 ~ 116 PSI). CPU can be equipped with 3 different signalling systems: mechanical micro-switch, inductive sensor, or positioner (4 - 20 mA).

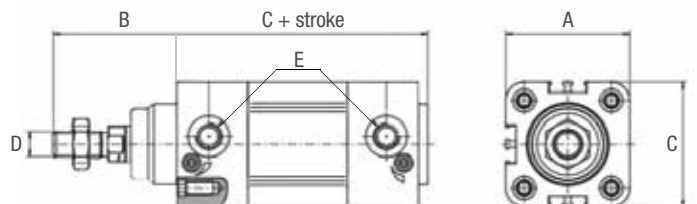


CODE	A	B	C	D	Ø H DIN 1482	N	Ø Thread	kg
CPU 064 ◆	80	260	116	111	22 X 19	50	1/8"	3.0
CPU 102 ■	106	265	116	123	22 X 19	50	1/8"	4.5
CPU 127 ▲	143	424	164	166	28 X 25	80	1/4"	9.0

Dimensions in mm

Pneumatic Linear Actuators CPL / CPLX

CPL / CPLX is a pneumatic linear actuator according to ISO 15552.



CODE	A	B	C	D	E
CPL 063	77.5	69	121	M16 X 1.5	G 3/8"
CPL 080	95.5	86	128	M20 X 1.5	G 3/8"
CPL 100	115.5	91	138	M20 X 1.5	G 1/2"
CPL 125	140.0	119	160	M27 X 2	G 1/2"

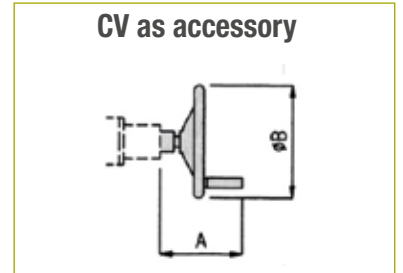
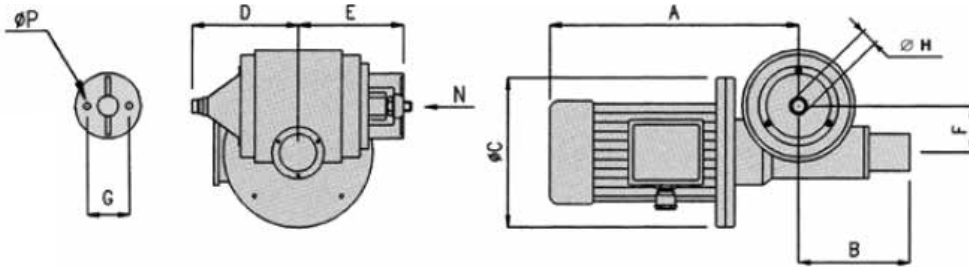
Dimensions in mm

ELECTRIC ACTUATORS

Electric Rotary Gear Actuators AE / AEX



MATCHING VALVE TYPES					
					
VFS	VFP	VSS	VW	DVA	LBC



CODE	A	B	Ø C	D	E	F	G	Ø P	Ø H DIN 5482	Nm	kW	kg
AE 040A10	-	101	140	98	107	40	50	11	22 X 19	-	-	4
AE 040A11	274									51	0.18	8
AE 050A10	-	119	160	110	110	50	50	11	22 X 19	-	-	8
AE 050A11	288									70	0.25	16
AE 051A11										102	0.37	17
AE 060A10	-	135	200	120	150	60	80	13	22 X 19	-	-	26
AE 060A11	330									158	0.55	26
AE 060A21										28 X 25	26	
AE 070A10	-	150	200	120	150	70	80	13	28 X 25	-	-	15
AE 070A1N	331								22 X 19	210	0.75	29
AE 070A2N									28 X 25	29		

Handwheel Actuator	WA	Ø WB	kg
CV 040	112	125	0.7
CV 050			
CV 060	122		
CV 070			

Motor protection: IP 55 - Power: 230/400V 50Hz - 25 r.p.m. - Revolution: 90° in 0.6 sec.
 N.B.: with AE-type actuator, signalling systems MIC 23 or LSMO are mandatory (except for LBC valve)

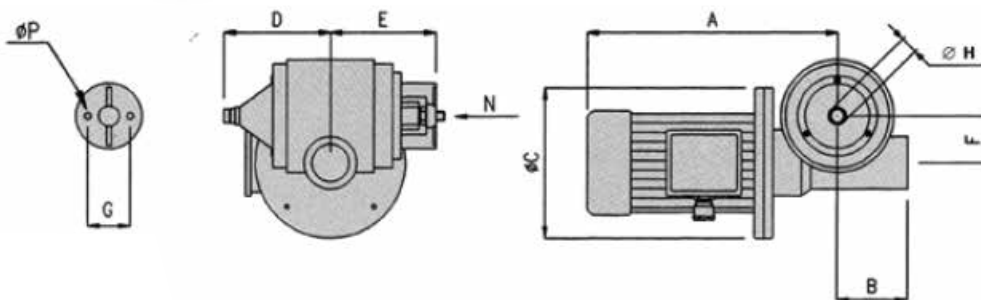
Dimensions in mm

Electric Rotary Gear Actuators AR



MATCHING VALVE TYPE

VG



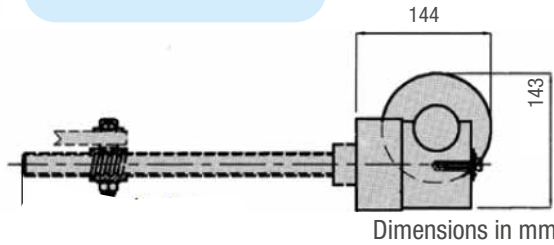
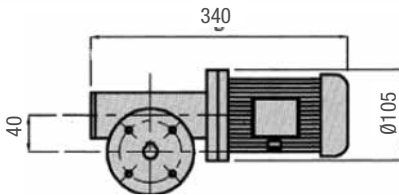
OPENING TIME	
TYPE	TIME sec
500	38
600	45
700	52
800	59
1000	74

CODE	A	B	C	D	E	F	G	P	Ø P DIN 5482	Nm	kW	kg
AR 070A20	100	90	200	120	150	70	80	13	28 X 25	-	-	11
AR 070A1N	331	90	200	120	150	70	80	13	22 X 19	45	0.75	29
AR 070A2N	331	90	200	120	150	70	80	13	28 X 25	45	0.75	29

Motor protection: IP 55 - Power: 230/400V 50Hz - 140 r.p.m. - N.B.: with AR-type actuator, signalling system LSM6 is mandatory. Dimensions in mm

Electric Linear Gear Motor Actuators

CRG-CRGX / CRGA-CRGAX



MATCHING VALVE TYPES

VL	VDI	VG	VIB
CRG			CRGA

CRG-CRGX / CRGA-CRGAX

TYPE	OPENING TIME sec	kg
150	13	16
200	17	19
250	21	20
300	25	21
350	25	22
400	28	23

Motor protection: IP 55 - Power: 230/400 V, 50 Hz, 0.37 kW - 140 r.p.m.

N.B.: With CRG-type actuators, signalling system LMS6 is mandatory.

VALVE COMPATIBILITY TABLE

		VFS	VFP	VFF	VW	VIB	VL	VDI	VG	VSS	DVA	LBC
MANUAL ACTUATORS	CM											
	CMG											
	CMGA											
	CMV											
PNEUMATIC ACTUATORS	CPU / CPUX											
	CPL / CPLX											
ELECTRIC ACTUATORS	AE / AEX											
	AR											
	CRG / CRGX											
	CRGA / CRGAX											

ACTUATOR ACCESSORIES

SIGNALLING SYSTEMS

Micro-switch Box MIC23



Weight: 320 g
IP 65
0 - 10 A 400 V
0 - 16 A 250 V

MATCHING



AE

Mechanical Limit Switches LSM 2-4-6-8



Weight: 250 ~ 850 g

MATCHING



VIB

VL

VDI

VG

Reed KXM00-KXM



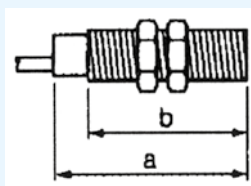
Weight: 150 g
IP 65
1A 12-48 V

MATCHING



CPL / CPLX

Inductive Proximity Switch KXS1 / KXXS1



STANDARD ATEX
A = 57 mm A = 35 mm
B = 44 mm B = 30 mm

MATCHING

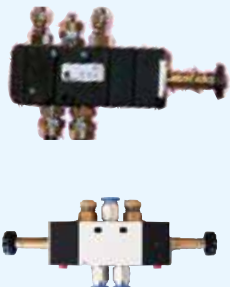


VCP

LSM3

SOLENOID VALVES

Solenoid Valve V5V-V5VV



V5V80: 1/8"
V5V40: 1/4"
Monostable
Weight: 450 ~ 550 g

V5VV80: 1/8"
V5VV40: 1/4"
Bistable
Weight: 500 ~ 600 g

MATCHING



CPL

Namur Solenoid Valve V5C-V5VC



V5C06-V5C10: 1/8"
V5C12: 1/4"
Monostable
Weight: 500 ~ 600 g



V5VC06-VCVC10: 1/8"
V5VC12: 1/4"
Bistable
Weight: 600 ~ 650 g

MATCHING



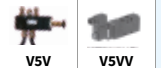
CPU

Solenoid Coil BOB / BOBX



Width: 47 mm
Height: 29 mm
Length: 69 mm
24-48-110-220 V
50 Hz AC/DC

MATCHING



V5V

V5VV

SIGNALLING SYSTEM BRACKETS

Bracket for KXS1/KXXS1 LSM3



Length: 160 mm
Height: 110 mm
Weight: 700 g

MATCHING



CM2-4-3B

Limit Switch Bracket LSM0



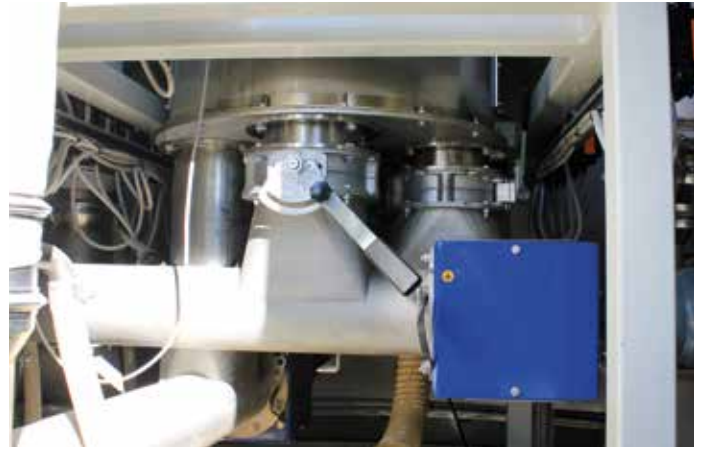
Length: 160 mm
Weight: 700 g

MATCHING



AE

Application



203001736 April 2021 Rights reserved to modify technical specifications.



This brochure has been edited for distribution in European Union countries.

