

BA

Bin Activators

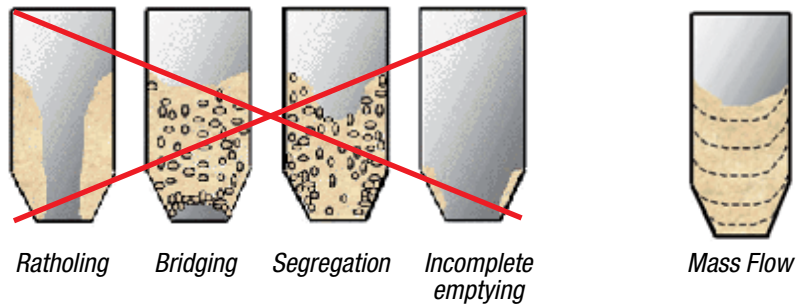


BA

Bin Activators
SOLIDS DISCHARGING EQUIPMENT

The BA Bin Activator is a discharging device which, thanks to controlled vibration, ensures continuous down-flow of the material from silos and hoppers.

Using this device ensures product extraction with optimum “Mass Flow”.



- Ensures uniform descent of the product (MASS FLOW) inside the silo
- Avoids bridging in the discharge cone
- Prevents “ratholing” and segregation of the material to be discharged
- Stops dangerous flushing
- Prevents economic loss due to plant downtimes



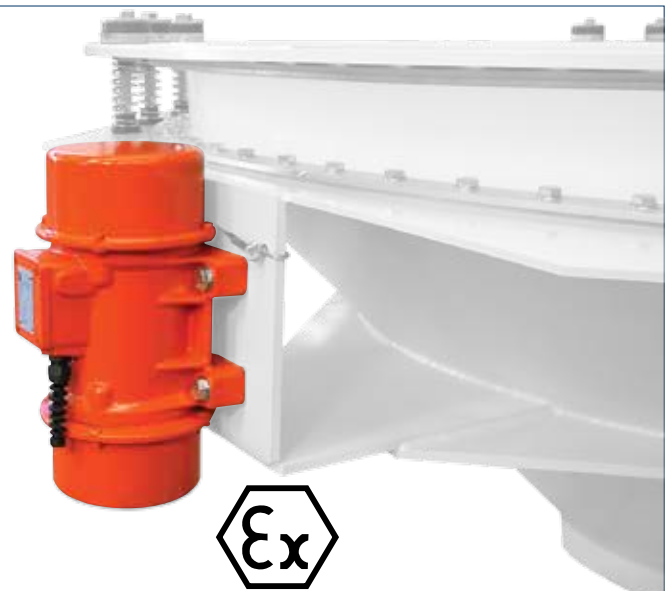
- Turned cone constructed using industrial techniques
- Seamless discharging cone
- High flowability
- Maximum resistance to stress
- Available with food-grade painting and in 304L SS

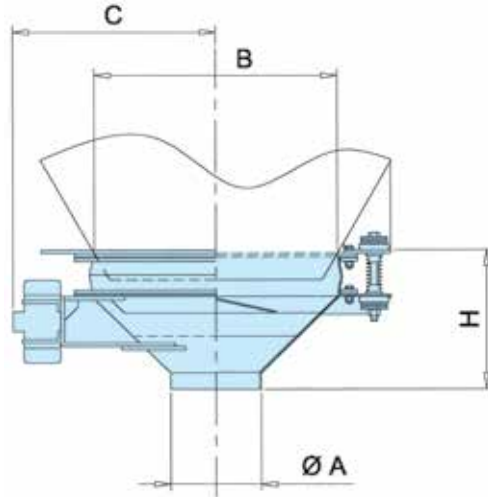


- Suspensions pivoting at 360°
- Maximum efficiency
- Minimum vibration energy consumption
- Minimum vibrations transmitted to silo



- Electric vibrator with adjustable masses, ATEX certified for zone 21

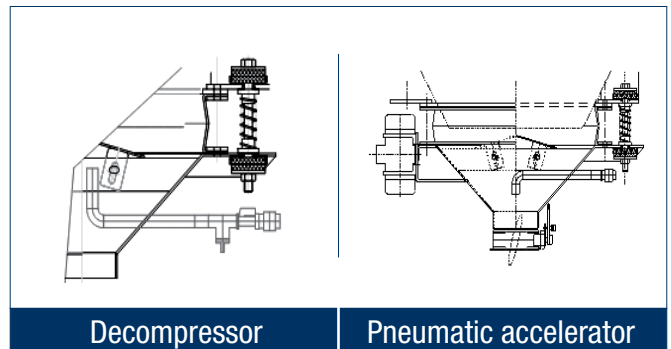
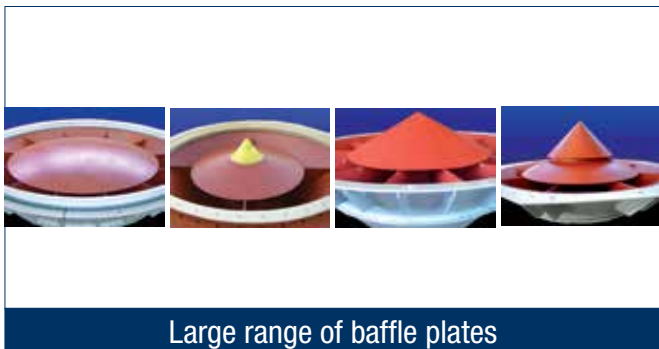


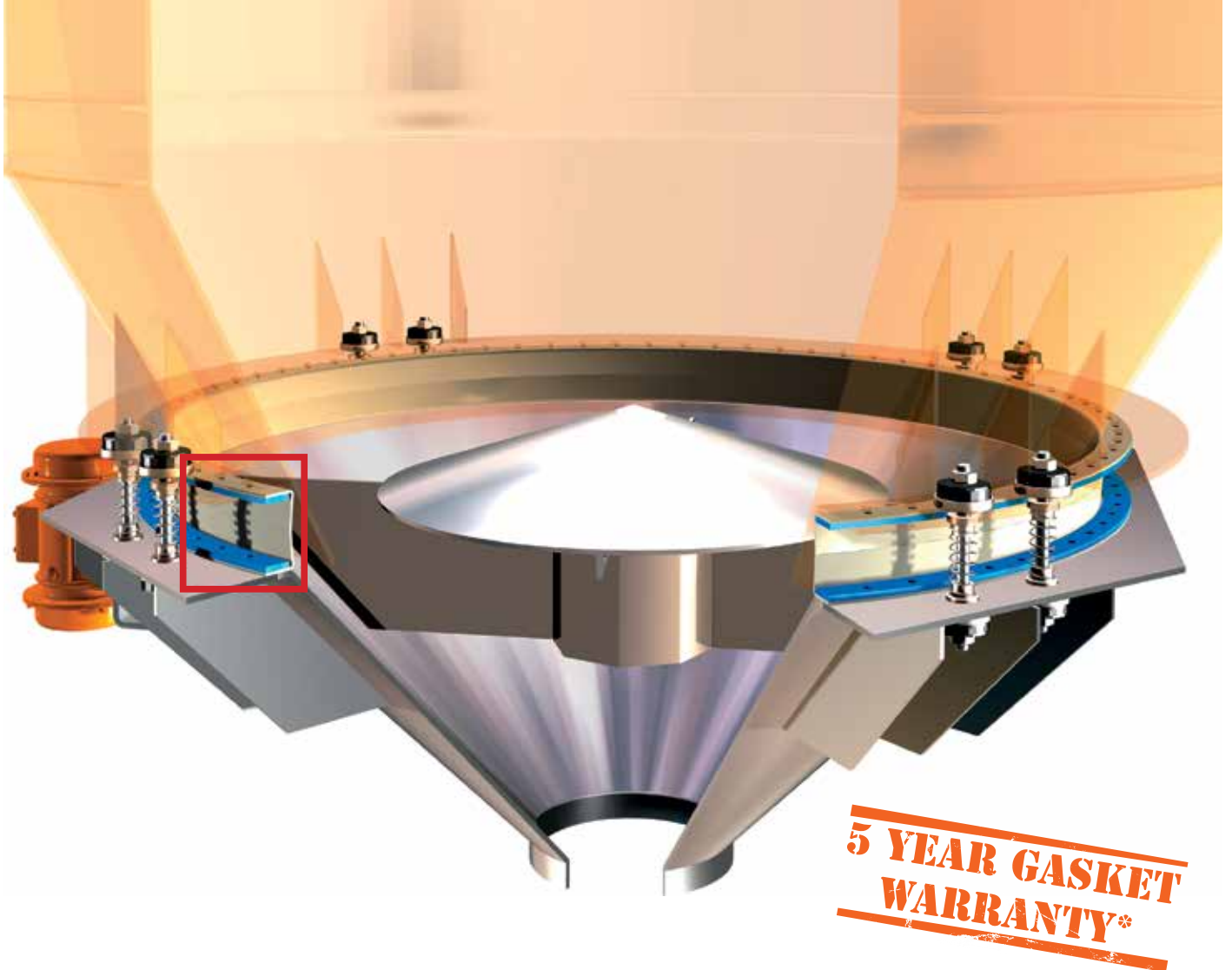


TYPE	Size	Ø A STD	B	C	H	Motors	kg
BA040	400	114	380	427	330	1	59
BA060	600	168	580	519	408	1	80
BA075	750	219	730	609	456	1	99
BA090	900	219	880	684	531	1	134
BA100	1,000	273	980	734	555	1	146
BA125	1,250	273	1,230	937	730	1	290
BA150	1,500	323	1,480	1,120	774	1	475
BA180	1,800	323	1,780	1,194	924	2	726
BA210	2,100	406	2,080	1,420	1,033	2	881
BA235	2,350	406	2,330	1,547	1,166	2	1,255
BA250	2,500	406	2,480	1,705	1,307	2	1,530
BA300	3,000	406	2,980	1,955	1,568	2	2,456

Dimensions in mm

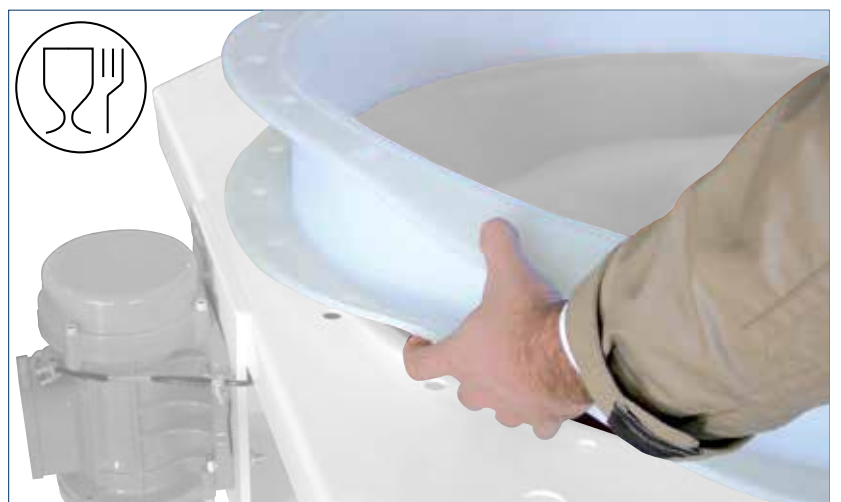
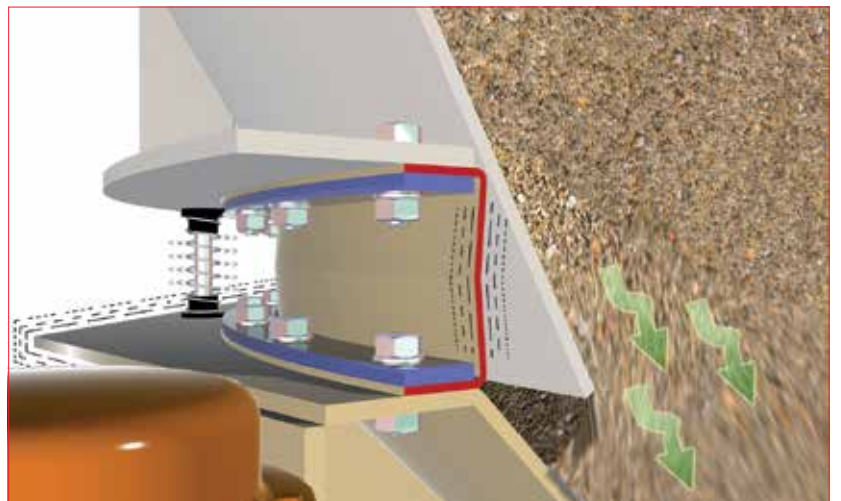
OPTIONS & ACCESSORIES





GASKET WITH MAXIMUM RELIABILITY:

- Seamless one-piece without joints for maximum resistance to stress
- Double flange for perfect fixing and optimum sealing
- Construction in wear-resistant SINT® food-grade engineering polymer
- Design studied to prevent stagnation, ideal for food and perishable products



** The validity of the warranty is conditioned by strict respect of the conditions of use described in the Installation, Use & Maintenance Manual.*

APPLICATIONS



- Food
- Flour milling
- Animal feed milling
- Plastics
- Chemicals
- Pharmaceuticals
- Glass
- Fertilizers
- Waste water treatment
- Foundries
- Premixed adhesives for ceramics industry



06800159 September 2012 Rights reserved to modify technical specifications.



www.wamgroup.com